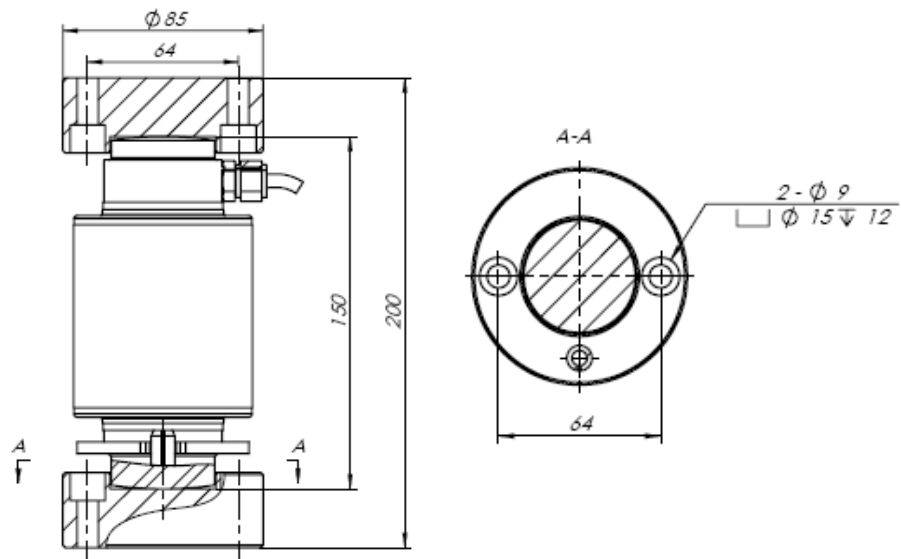


# Model CMLC [10-40t]



## Application

Can be used in Car Weigher, Orbit Weigher, Hopper Weigher, Metering Equipment.

## Technical Parameter

Rated Load	10, 20, 25, 30, 40 t
Sensitivity	$2.0000 \pm 0.002\text{mV/V}$
Total Error	$\pm 0.02\%F.S$
Creep(30minutes)	$\pm 0.02\%F.S$
Recommended Excitation Voltage	5V~18V(AC or DC)
Maximum Excitation Voltage	24V(AC or DC)
Zero Balance	$\pm 1\%F.S$
Input Impedance	$380 \pm 10\Omega$
Output Impedance	$350 \pm 5\Omega$
Insulation Impedance	$\geq 5000M\Omega$
Safe Overload	150%F.S
Ultimate Overload	200%F.S
Operating Temperature Range	$-30 \sim +70^{\circ}\text{C}$
Compensated Temperature Range	$-20 \sim +60^{\circ}\text{C}$
Temperature Effect On Load	$\pm 0.02\%F.S/10^{\circ}\text{C}$
Temperature Effect On Zero	$\pm 0.02\%F.S/10^{\circ}\text{C}$
Construction	Alloy Steel
Protection Class	IP67 & IP68

## Haris Sensor Technologies Private Limited

223, Shanti Industrial Estate, Sarojini Naidu Road, Mulund (West), Mumbai - 400080, INDIA.  
 TeleFax: +91-22-2568 3435 / 2567 2204, 2205 ♦ E-mail: info@haris.in ♦ Website: www.harissensor.com

