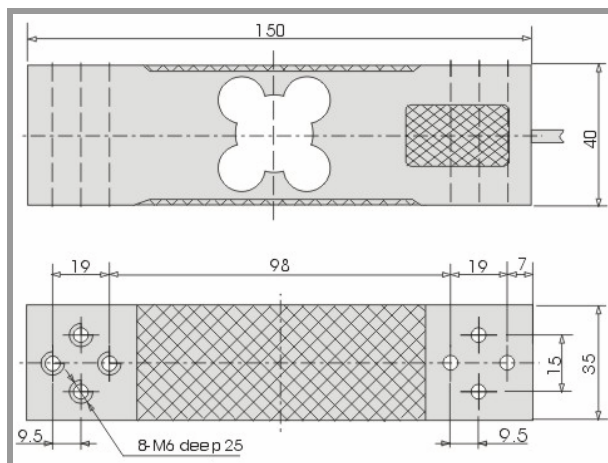
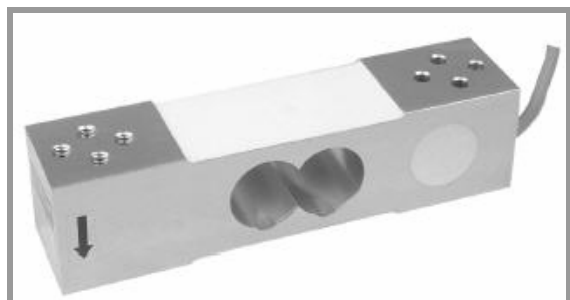


# Model TTX-S

**Application:** Low profile bench scales, check weighers, process weighing, bag filling.

**Dimension:** 150 x 40 x 35 mm



## Technical Data

Capacities	60, 120, 200, 300 kg
Sensitivity	2.0 ± 10% mV/V
Non-Linearity	± 0.02% FS
Hysteresis	± 0.02% FS
Repeatability	± 0.02% FS
Creep (20 min)	± 0.02% FS
Zero Balance	± 1% FS
Temp. effect span	± 0.015% FS/10°C
Temp effect zero	± 0.02% FS/10°C
Temperature compensated range	-10 ~ +50°C
Input resistance	400 + 10Ω
Output resistance	350 + 3Ω
Insulation resistance	> 5000 MΩ (@ 50V DC)
Safe Over Load	150% FS
Ultimate load	200% FS
Recommended excitation	10V (DC/AC)
Maximum excitation	12V (DC/AC)
Construction	Aluminium Alloy
Environmental protection	IP 65
Max. platform size	400 X 450 mm

## Haris Sensor Technologies Private Limited

223, Shanti Industrial Estate, Sarojini Naidu Road, Mulund (West), Mumbai - 400080, INDIA.  
TeleFax: [+91-22] 2567 2147, 2204, 2205 ♦ E-mail: info@haris.in ♦ Website: www.harissensor.com

**HARIS**