

Digital Pressure Gauge (DPG6)

Description:

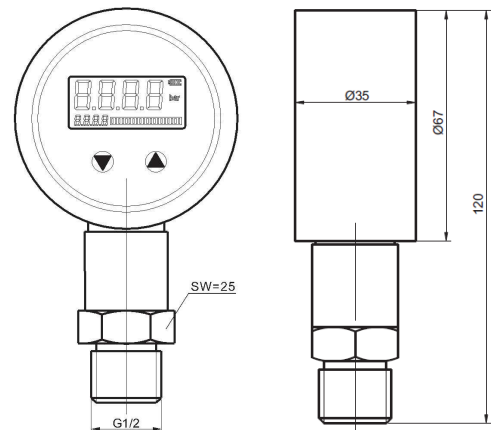
DPG6 Intelligent Pressure Gauge is made with entire electronic structure, and uses battery as power supply. It is easy for field installation. DPG6 intelligent pressure gauges are using high accuracy piezoresistive pressure sensors, which is located in the front end of DPG6. The output signal of the pressure sensor is processed and amplified by high accuracy and low temperature coefficient amplifier, and then transferred to A/D switch to transform digital signal which can be processed by microprocessor. After processing operation, the pressure gauge will demonstrate the actual value of the pressure by LCD indicator. DPG6 has automatic turn-off function in 1 ~ 15 min.



The use of DPG6 intelligent pressure gauge is obviously flexible, and its operation is very simple, and the adjustment of this gauge is easy, safe and reliable. DPG6 intelligent pressure gauge is widely used in such industries as water and electricity, running water, petroleum, chemical, and machinery, for the measurement and demonstration of fluid mediums pressure.

Features:

- LCD display, high resolution, without apparent value error
- Peak value recording function, record the max. pressure value during measuring process
- Pressure percentage dynamic demonstration (progress strip demonstration)
- Selectable ranges: Mpa, psi, bar, kPa, kg/cm²
- 1 ~ 15 min automatic turn-off function
- Micro power loss function, can work above 2 years in the electricity saving pattern
- Parameter revision function, can revise the gauges zero error on the spot



Specifications:

Pressure Medium	Gas Or Liquid Compatible To Stainless Steel
Pressure Ranges	-1..0 ~ 0.1...1000 Bar
Pressure Type	Gauge(G), Absolute(A), Sealed Gauge(S)
Overload Pressure	150 %FS
Accuracy	0.1 %FS, 0.25 %FS(standard), 0.5 %FS
LCD Display	4-Digit
Display Range	-1999 ~ 9999
Long-Term Stability	<0.1 %FS/year
Battery Power Supply	9V DC
Compensated Temperature Range	0 ~ +50°C
Operating Temperature Range	-20 ~ +70°C
Selectable Ranges	Mpa, psi, bar, kpa, kg/cm ²
Sampling Speed	4 times/sec.
Insulation Resistance	100MΩ @50V DC
Process Connection	G1/2 or others
Housing Material	1Cr18Ni9TI

Haris Sensor Technologies Private Limited

223, Shanti Industrial Estate, Sarojini Naidu Road, Mulund (West), Mumbai - 400080, INDIA.
TeleFax: +91-22-2568 3435 / 2567 2204, 2205 ♦ E-mail: info@haris.in ♦ Website: www.harissensor.com

HARIS