

DIGITAL PRESSURE GAUGE [LCD]

TECHNICAL DATA

Relative Pressure (R)	1-2.5-5-10-20 bar 50-100-250-350-500 bar 700-1000-1500-2000 bar
Linearity and Hysteresis	$\leq \pm 0.20\%$ FS
Internal Resolution	65,000 div.
Reading per Second [0 filter]	10 [100ms]
Reference Temperature	+ 23°C
Service Temperature Range	0 / +50°C
Storage Temperature	-10 / +60°C
Temperature Effect for 1°C	
(a) on Zero	$\leq \pm 0.002\%$
(b) on Sensitivity	$\leq \pm 0.002\%$
Programmable Set Points	
Programmable Baud Rate	16200, 9600, 4800
Zero Function	~50%
Programmable Digital Filter	0 ÷ 99
Programmable Resolution	1, 2, 5, 10
Programmable Measuring Units	*mbar, bar, Mpa, kPa, psi
Peak Function	Pos. (+) and Neg. (-)
Gasket Advised	USIT A 63-18
Display	Custom LCD
Display Height	16mm
Autonomy	1 ANNO / YEAR
Power Supply	Battery
Alkaline Batteries	n°4 to, 1.5V size AA
Mechanical Limit Values Related to Nominal Pressure :	
(a) Service Pressure	100%
(b) Maximum Permissible Pressure	150%
(c) Breaking Pressure	>300%
(d) High Dynamic Pressure	75%
Standard Process Coupling	1/2" Gas MASCHIO / BSP Male
Tightening Wrench	27 mm
Tightening Torque	28 Nm
Protection Class [EN 60529]	IP40
Sensor Material	INOX 17.4 pH
Case Material	ABS
Electrical Connection [RS232C]	Tank SUB D 9 pole FEMALE

* Other measuring units on request

Digital Pressure Gauge LCD is a microprocessor based unit of new generation, consisting of a long-term particularly steady analogic section, and of a 16 bits convertor A/D which guarantees 65,000 internal divisions.

Pressure sensors is completely executed in stainless steel to ensure a high resistance in presence of highly dynamic stresses and to be suitable to work in contact with aggressive substances. This features, together with the 0.20% accuracy class, make it ideal for monitoring industrial applications and to transmit data directly to the control system.

The pressure gauge has internal batteries with 1 year autonomy, which is also guaranteed by the AUTO-POWER-OFF function, which activates if in 30 minutes any measurement change is detected. The user can select different engineering units (mbar, bar, kPa, MPa, psi), and can program different resolutions and digital filter according to the application.

In order to increase the integration level to the components, a combined traditional and SMT technology has been applied; which makes the pressure gauge more resistant against mechanical stresses and vibrations and ensures the maximum reliability of the electronic circuit.

This display also show an analog indication bar of pressure always active also into a program-menu.

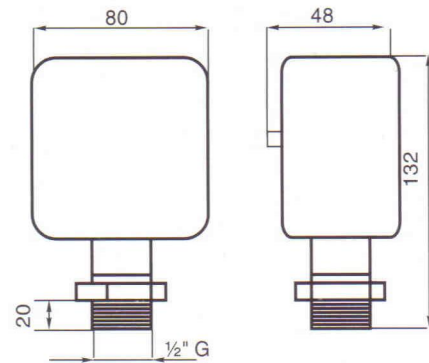
Principal performances :

- 1 Year Autonomy without Recharge
- Programmable Resolution
- Digital Filter
- Programmable Measuring Unit
- Peak Function (positive and negative)
- RS232 Output (optional)

OPTIONALS

Serial Output	RS232C
Vacuum (V) Range	(-1/+1) (-1/+2.5) (-1/+5) bar

DIMENSION (mm)



STANDARD INDICATIONS

Pressure	Display (bar)		Resolution
	Positive	Vacuum	
1 bar	1,000	-1,000	0,001
2.5 bar	2,500	-1,000	0,001
5 bar	5,000	-1,000	0,001
10 bar	10,00	/	0,01
20 bar	20,00	/	0,01
50 bar	50,00	/	0,01
100 bar	100,0	/	0,1
250 bar	250,0	/	0,1
350 bar	350,0	/	0,1
500 bar	500,0	/	0,1
700 bar	700,0	/	0,1
1000 bar	1000	/	1
1500 bar	1500	/	1
2000 bar	2000	/	1

Haris Sensor Technologies Private Limited

Row House No. 11, Narayani Co-op. Hsg. Scty. Ltd., Sector 2, Airoli, Navi Mumbai - 400 708.
TeleFax: 022-2779 6901 To 6906 / E-mail: harisent@vsnl.net / Website: www.harissensor.com

HARIS