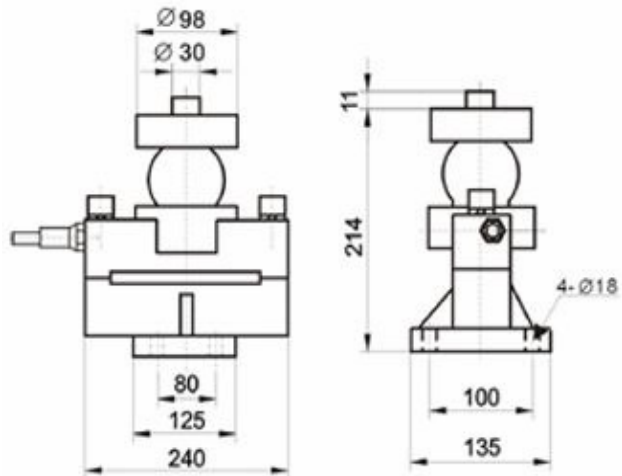


# DESB – B



## Features:

- High Precision
- High Reliability
- Super Stability
- In-built Lighting / Surge Protection
- Easy Installation
- Excellent replacement for any Standard Load Cell

**Application:** Truck Scale

## Technical Specifications:-

Capacities	10, 20, 25, 30, 40 t	
Sensitivity	2.0 ± 1% mV/ V	
Non- linearity	± 0.02% FS	
Repeatability	± 0.02% FS	
Hysteresis	± 0.02% FS	
Creep (30 min.)	± 0.02% FS	
Zero Balance	± 1% FS	
Insulation Resistance	> 5000 MΩ (@ 50V DC)	
Resistance	Input	700 ± 15Ω
	Output	700 ± 5Ω
Temperature Range	Compensated	-10 ~+ 55 °C
	Operating	-30 ~ + 70°C
Temperature Effect	Output	± 0.02% FS/10°C
	Zero	± 0.02% FS/ 10°C
Maximum excitation voltage	18V (DC /AC)	
Recommended excitation voltage	10V (DC /AC)	
Safe Overload	150% FS	
Maximum Overload	200% FS	
Load cell material	Alloy steel	
Protection Class	IP 68 (Laser Welded – Hermetically Sealed)	
Cable	Ø6 x 15m	

## Haris Sensor Technologies Private Limited

Row House No.11, Narayani C.H.S. Ltd., Sector 2, Airoli, Navi Mumbai - 400 708.  
 TeleFax: +91-22-2779 6901 ~ 06 ☎ E-mail: harisent@vsnl.net ☎ Website: harissensor.com

**HARIS**