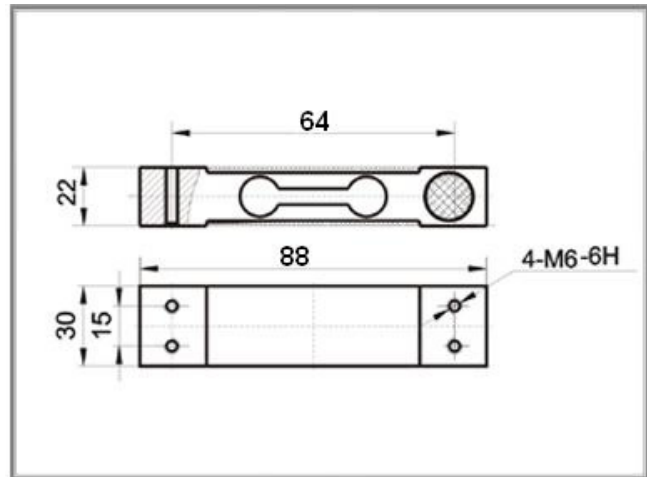


Model TTSS

Application: Low profile low cost bench scales, postal scales, kitchen scales, packaging machines.

Dimension: 88 x 30 x 22 mm



Technical Data

Capacities	3, 6, 10, 20, 30, 40 kg
Sensitivity	$1.8 \pm 10\%$ mV / V
Non-Linearity	$\pm 0.03\%$ FS
Hysteresis	$\pm 0.03\%$ FS
Repeatability	$\pm 0.03\%$ FS
Creep (20 min)	$\pm 0.05\%$ FS
Zero Balance	$\pm 1\%$ FS
Temp. effect span	$\pm 0.03\%$ FS/°C
Temp effect zero	$\pm 0.03\%$ FS/°C
Temperature compensated range	-10 ~ +55°C
Input resistance	$410 \pm 10\Omega$
Output resistance	$350 \pm 3\Omega$
Insulation resistance	$> 5000 \text{ M}\Omega$ (@ 50V DC)
Safe Over Load	150% FS
Ultimate load	200% FS
Recommended excitation	10V (DC/AC)
Maximum excitation	12V (DC/AC)
Construction	Aluminium Alloy
Environmental protection	IP 65
Max. platform size	250 X 300 mm

Haris Sensor Technologies Private Limited

Row House No.11, Narayani C.H.S. Ltd., Sector 2, Airoli, Navi Mumbai - 400 708.
 TeleFax: +91-22-2779 6901 ~ 06 ✪ E-mail: harisent@vsnl.net ✪ Website: harissensor.com

HARIS