

Model TT

Capacities:

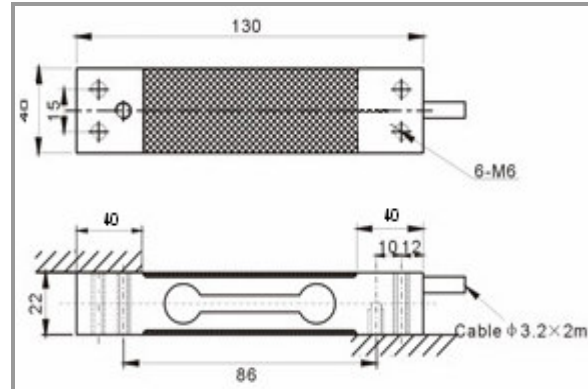
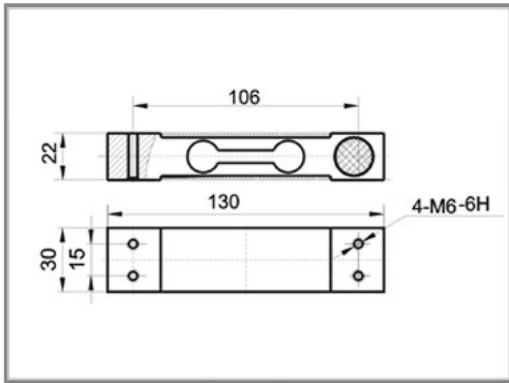
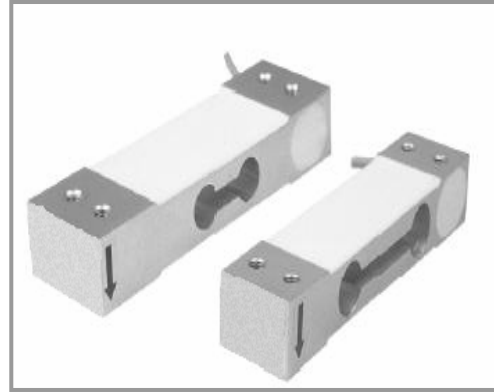
3, 6, 10, 15, 20, 30, 40, 60, 80, 100, 120, 200 kg

Application:

Low profile low cost bench scales, postal scales, kitchen scales, packaging machines.

Dimensions:

3 – 20 kg	130 x 30 x 22 mm
30 – 80 kg	130 x 40 x 22 mm
100 – 200 kg	130 x 40 x 22 mm [3 Holes]



Technical Data

Sensitivity	$2.0 \pm 10\%$ mV /V
Non-Linearity	$\pm 0.02\%$ FS
Hysteresis	$\pm 0.02\%$ FS
Repeatability	$\pm 0.02\%$ FS
Creep (20 min)	$\pm 0.02\%$ FS
Zero Balance	$\pm 1\%$ FS
Temp. effect span	$\pm 0.015\%$ FS/10°C
Temp effect zero	$\pm 0.02\%$ FS/10°C
Temperature compensated range	-10 ~ +50°C
Input resistance	$410 \pm 10\Omega$
Output resistance	$350 \pm 3\Omega$
Insulation resistance	> 5000 M Ω (@ 50V DC)
Safe Over Load	150% FS
Ultimate load	200% FS
Recommended excitation	10V (DC/AC)
Maximum excitation	12V (DC/AC)
Construction	Aluminium Alloy
Environmental protection	IP 65
Max. platform size	3 - 20 kg 300 X 300 mm 30 - 200 kg 400 X 400 mm

Haris Sensor Technologies Private Limited

Row House No.11, Narayani C.H.S. Ltd., Sector 2, Airoli, Navi Mumbai - 400 708.
TeleFax: +91-22-2779 6901 ~ 06 ✪ E-mail: harisent@vsnl.net ✪ Website: harissensor.com

HARIS