

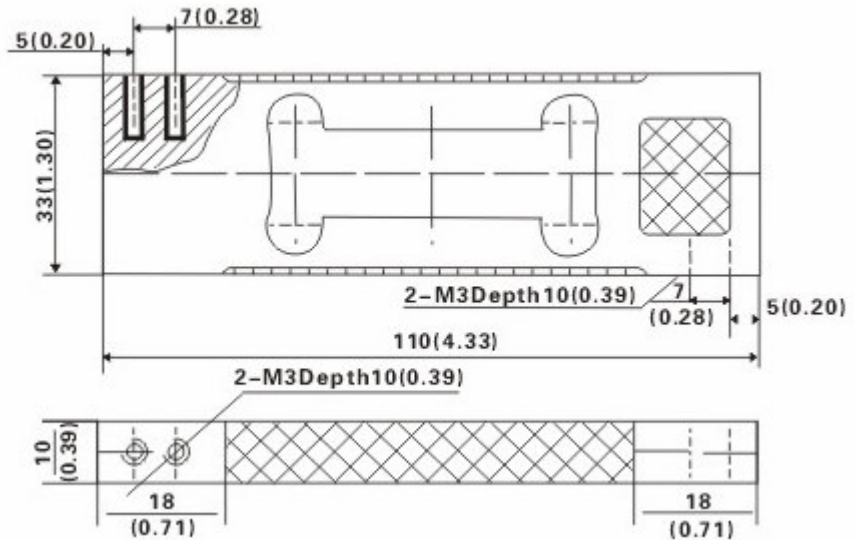
Model QPL

Features:

- Off-center load cell
- High strength aluminium alloy body, single point load cell.
- Protection Class IP65
- Wide capacity range.
- Temperature range -10°C ~ +50°C



Dimensions: 110 x 33 x 10 mm
(1mm = 0.03937 inches)



Technical Data

Capacity	0.3, 0.35, 0.6, 0.7, 1.2, 2, 3 kg
Sensitivity	1.0 ± 10% mV /V
Non - Linearity	± 0.017 % FS
Hysteresis	± 0.017 % FS
Repeatability	± 0.017 % FS
Creep (20 min)	± 0.02 % FS
Zero balance	< 0.05 % FS
Zero Temperature Range	± 0.003 % FS / °C
Temperature compensated range	-10 to +50°C
Rated Output Temperature coefficient	± 0.003 % FS / °C
Safe temperature range	-40 ~ +60 °C
Output resistance	350 ± 5 Ω
Input resistance	400 ± 10 Ω
Insulation resistance	> 5000 M Ω (@ 50 V DC)
Recommended Voltage	10 Volts (AC /DC)
Maximum Supply Voltage	12 Volts (AC /DC)
Safe Overload	150 %FS
Ultimate load	300 %FS
Cable	450 mm

Haris Sensor Technologies Private Limited

Row House No.11, Narayani C.H.S. Ltd., Sector 2, Airoli, Navi Mumbai - 400 708.
TeleFax: +91-22-2779 6901 ~ 06 ✪ E-mail: harisent@vsnl.net ✪ Website: harissensor.com

HARIS