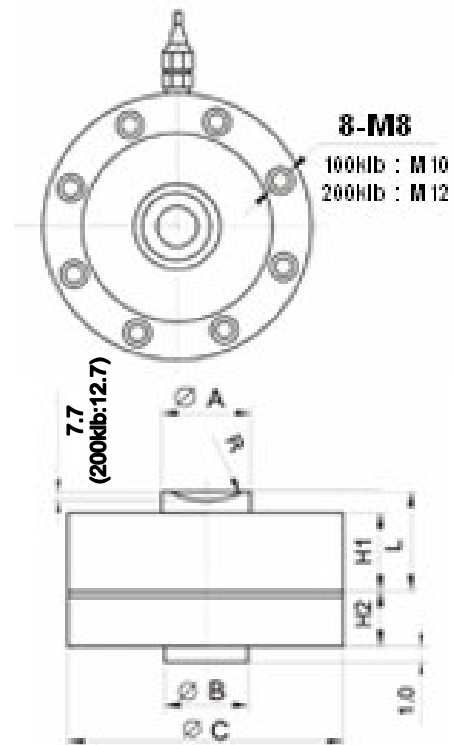


MCLC-B Series

Applications: Compression, useful for engineering applications, pharmaceutical, chemical industries and harsh industrial environments where wash down application is needed.



Dimensions in 'mm'							
Rated Load	A	R	L	H1	H2	C	B
5~10klb 2~5t	32.0	16.0	46.0	34.0	19.0	105.0	32.0
25~50klb 10~25t	40.6	22.2	53.0	47.0	19.0	121.0	32.0
100klb 50t	51.0	22.6	57.6	51.0	29.0	141.0	32.0
200klb 100t	76.0	44.2	83.0	70.0	42.0	200.0	51.0

Specifications:

Capacities	5, 10, 25, 50, 100, 200 klb	
Sensitivity	2.0 ± 1% mV/V	4.0 ± 1% mV/V
Nonlinearity	± 0.02% FS	± 0.03% FS
Repeatability	± 0.02% FS	± 0.03% FS
Hysteresis	± 0.02% FS	± 0.03% FS
Creep - 20 min	± 0.02% FS	± 0.03% FS
Temperature Effect on Sensitivity	± 0.05% FS/°C	
Temperature Effect on Zero	± 0.05% FS/°C	
Zero Balance	± 1% FS	
Input Resistance	400 ± 10Ω	750 ± 20Ω
Output Resistance	350 ± 3Ω	700 ± 5Ω
Insulation Resistance	5000 MΩ (@ 50V DC)	
Recommended Excitation Voltage	10V DC	
Maximum Excitation Voltage	12V DC	
Compensated Temperature Range	-10 ~ +55°C	
Operating Temperature Range	-30 ~ +80°C	
Safe Overload	150% FS	
Ultimate Overload	200% FS	
Construction Material	Alloy Steel	
Protection Class	IP 67	
Cable	Ø6 x 13m	

Haris Sensor Technologies Private Limited

Row House No.11, Narayani C.H.S. Ltd., Sector 2, Airoli, Navi Mumbai - 400 708.
 TeleFax: +91-22-2779 6901 ~ 06 ✪ E-mail: harisent@vsnl.net ✪ Website: harissensor.com

