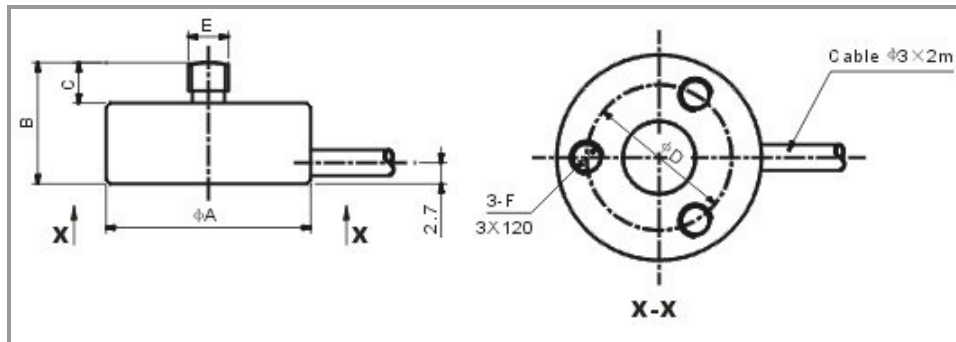


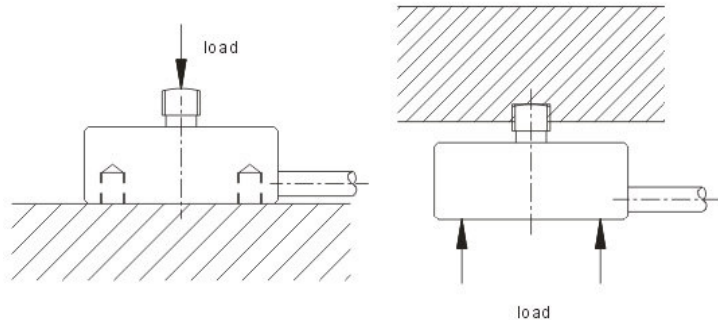
Model – CP

Features:

- Miniature load cell, designed for use in limited space
- Stainless Steel (10kg, 20kg Aluminium)
- Protection to IP 66
- Range: 30 ~ 2000 kg



Capacity	Dimensions in 'mm'					
	A	B	C	D	E	F
30 ~ 300 Kg	20	11	4	15	M3	M3 Depth 4
500 Kg ~ 2t	25.4	15	5	18	M5	M4 Depth 5



Technical Data:

Capacities	30, 50, 100, 200, 300, 500, 1000, 2000 kg	
Sensitivity	1.5 ± 10% mV/V	
Non-Linearity	± 0.5% FS	
Repeatability	± 0.3% FS	
Hysteresis	± 0.5% FS	
Creep (30 min.)	± 0.5 % FS	
Zero Balance	± 1% FS	
Insulation Resistance	> 5000 MΩ (@ 50 V DC)	
Resistance	Input	350 ± 20Ω
	Output	350 ± 3Ω
Temperature Range	Compensated	-10 ~ +40°C
	Operating	-30 ~ +70°C
Temperature Effect	Output	± 0.02% FS/10°C
	Zero	± 0.02% FS/10°C
Maximum excitation voltage	12V (DC/AC)	
Recommended excitation voltage	5 ~ 10V (DC/AC)	
Safe Overload	150% FS	
Maximum Overload	300% FS	
Construction	Stainless Steel	
Environmental protection	IP 66	

Haris Sensor Technologies Private Limited

Row House No.11, Narayani C.H.S. Ltd., Sector 2, Airoli, Navi Mumbai - 400 708.
 TeleFax: +91-22-2779 6901 ~ 06 ✪ E-mail: harisent@vsnl.net ✪ Website: harissensor.com

HARIS